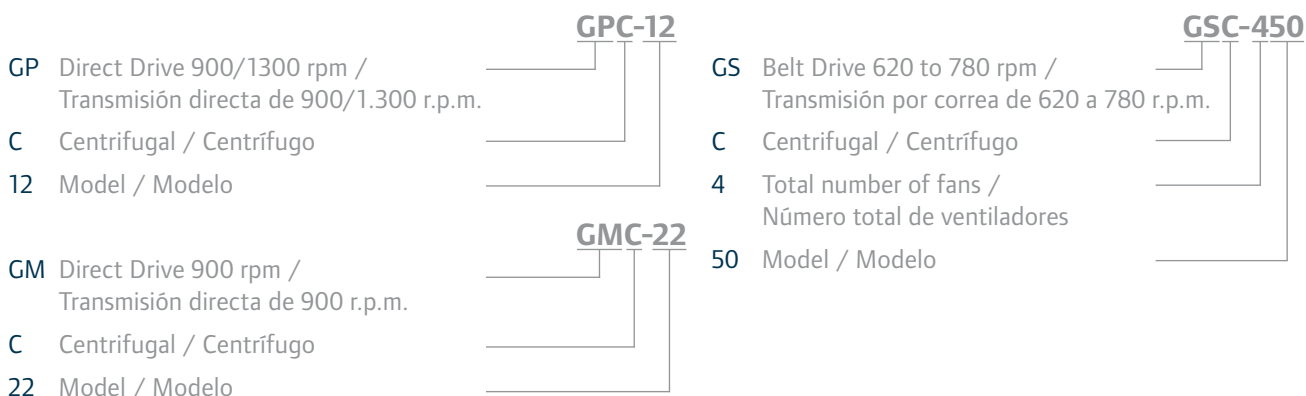




CENTRIFUGAL AIR COOLED CONDENSERS
 GPC, GMC and GSC Series
CONDENSADORES DE AIRE CENTRÍFUGOS
 Series GPC, GMC y GSC



Model Key Example / Ejemplo de nomenclatura de modelos



Selection Data Tables

The rating conditions are based on:

- R-404 A Refrigerant
- $\Delta T = 14 K - 16 K - 18K$ or $15K$
- Air Inlet Temperature: $+25^{\circ}C$
- Atmospheric Pressure: 101325 Pa

ΔT represents the difference between the condensing temperature and the entering air temperature.

The following correction factors are supplied for alternative conditions. Multiply the requested capacity by the following factors where applicable, to select the correct unit from the tables.

Tablas de datos para la selección

Las condiciones de potencia nominal se basan en:

- Refrigerante R-404A
- $\Delta T = 14 K, 16 K, 18 K$ ó $15 K$
- Temperatura de entrada del aire: $+25^{\circ}C$
- Presión atmosférica: 101325 Pa

ΔT representa la diferencia entre la temperatura de condensación y la del aire entrante.

Se proporcionan los siguientes factores de corrección para condiciones alternativas. Multiplique la potencia necesaria por el factor que corresponda de los siguientes al objeto de seleccionar la unidad adecuada en las tablas.

REFRIGERANT / REFRIGERANTE	R 22	R 134a	R-404 A	R 407A	R 407C	R 507C
F1	1,04	1,07	1	1,17	1,13	1

FIN MATERIAL / MATERIAL DE LAS ALETAS	ALUMINUM / ALUMINIO	COATED / LACADO	COPPER / COBRE
F2	1	1,03	0,97

AIR INLET TEMP °C / TEMP. ENTRAD. AIRE EN °C	10	15	20	25	30	35	40	45
F3	0,95	0,97	0,98	1,00	1,02	1,03	1,05	1,06

IMPORTANT NOTE: Decimals are used in the following format: x,xx (example 5,23)
 Thousands are used in the following format: xxxx (example 1264)

Example:

Required Heat of Rejection: $Q = 200000 \text{ W}$
 Refrigerant: R134a $F1 = 1,07$
 $\Delta T = 15\text{K}$
 Alu Fin $F2 = 1$
 Air inlet: 30°C $F3 = 1,017$
 Duct Pressure drop: 15 mm CW

Selection: $200000 \times 1,07 \times 1 \times 1,017 = 217636 \text{ W}$
 = **GSC-373**

Ejemplo:

Potencia necesaria: $Q = 200.000 \text{ W}$
 Refrigerante: R-134a $F1 = 1,07$
 $\Delta T = 15 \text{ K}$
 Aleta de aluminio $F2 = 1$
 Entrada de aire: 30°C $F3 = 1,017$
 Caída de la presión del conducto: 15 mm CW

Selección: $200.000 \times 1,07 \times 1 \times 1,017 = 217.636 \text{ W}$
 = **GSC-373**

GMC Series / Serie GMC

MODEL	FANS	MM CW	NOMINAL CAPACITY R-404 A (W)			AIRFLOW	SURFACE	INTERNAL VOLUME	ACOUSTIC PRESSURE	WEIGHT
MODELO	VENTILADORES	mm CW*	CAPACIDAD NOMINAL R-404A (W)			CAUDAL DE AIRE	SUPERFICIE	VOLUMEN INTERNO	PRESIÓN ACÚSTICA	PESO
	Num		$\Delta T 18 \text{ K}$	$\Delta T 16 \text{ K}$	$\Delta T 14 \text{ K}$	m^3	m^2	dm^3	dBA (10 m)	kg
GMC-22	2	0 mm 5 mm 10 mm 15 mm	57200 55974 54434 51977	50846 49754 48385 46203	44490 43535 42338 40427	16500 15800 15000 13700	106	15,3	59	185
GMC-23	2	0 mm 5 mm 10 mm 15 mm	68275 66126 64122 60591	60689 58779 56998 53859	53103 51432 49840 47127	16200 15300 14500 13200	142	20,41	59	198
GMC-24	2	0 mm 5 mm 10 mm 15 mm	82883 79500 75502 71811	73637 70666 67113 63832	64464 61833 58724 55853	15500 14600 13600 12700	214	30,61	59	220
GMC-33	3	0 mm 5 mm 10 mm 15 mm	102412 99189 96184 90886	91034 88169 85498 80789	79654 77147 74810 70690	24300 22950 21750 19800	214	30,18	60	275
GMC-34	3	0 mm 5 mm 10 mm 15 mm	124325 119248 113252 107716	110511 105999 100670 95748	96697 92749 88086 83779	23250 21900 20400 19050	321	45,27	60	310
GMC-43	4	0 mm 5 mm 10 mm 15 mm	136550 132253 128244 121184	121385 117557 113995 107717	106206 102863 99746 94253	32400 30600 29000 26400	248	29,95	61	370
GMC-44	4	0 mm 5 mm 10 mm 15 mm	165765 158999 151003 143622	147347 141332 134225 127664	128929 123666 117447 111706	31000 29200 27200 25400	408	59,93	61	405

* Available pressure / Presión disponible



GPC Series / Serie GPC

MODEL	FANS	MM CW	NOMINAL CAPACITY R-404 A (W)			AIRFLOW	SURFACE	INTERNAL VOLUME	ACOUSTIC PRESSURE	WEIGHT
MODELO	VENTILADORES	mm CW*	CAPACIDAD NOMINAL R-404A (W)			CAUDAL DE AIRE	SUPERFICIE	VOLUMEN INTERNO	PRESIÓN ACÚSTICA	PESO
	Num		ΔT 18 K	ΔT 16 K	ΔT 14 K	m ³	m ²	dm ³	dBA (10 m)	kg
GPC-12	1	0 mm 5 mm 10 mm 15 mm	5079 4805 4393 3570	4516 4271 3905 3173	3951 3737 3416 2777	2700 2400 2050 1275	6,0	1,2	52	50
GPC-22	1	0 mm 5 mm 10 mm 15 mm	7688 7551 7276 7002	6834 6712 6467 6223	5979 5872 5660 5445	3225 3075 2825 2575	9,0	1,8	54	50
GPC-32	1	0 mm 5 mm 10 mm 15 mm	9335 9060 8786 8237	8298 8054 7810 7321	7261 7047 6834 6407	3050 2900 2700 2400	12,0	2,4	54	51
GPC-52	1	0 mm 5 mm 10 mm	11669 11257 10571 9747	10372 10006 9396 8663	9076 8755 8222 7581	2800 2625 2375 2100	18,0	3,6	54	53
GPC-62	1	0 mm 5 mm 10 mm 15 mm	15101 14552 14003 12492	13423 12935 12446 11105	11745 11381 10891 9717	3500 3300 3100 2650	31,2	6,0	52	80
GPC-72	1	0 mm 5 mm 10 mm 15 mm	18121 17572 16336 13728	16108 15619 14521 12203	14094 13668 12706 10677	3400 3250 2975 2400	46,8	9,0	52	85
GPC-82	1	0 mm 5 mm 10 mm 15 mm	22926 22102 21553 20454	20378 19646 19158 18182	17831 17190 16763 15910	7100 6650 6300 5750	31,2	6,0	57	90
GPC-92	1	0 mm 5 mm 10 mm 15 mm	28554 27594 26220 24711	25382 24527 23307 21965	22209 21461 20394 19219	6600 6250 5750 5250	46,8	9,0	57	95
GPC-142	2	0 mm 5 mm 10 mm 15 mm	36928 36242 35007 33771	32825 32215 31117 30019	28722 28188 27227 26266	14600 14000 13000 12100	46,8	8,3	59	148
GPC-152	2	0 mm 5 mm 10 mm 15 mm	45165 43655 42420 40360	40146 38804 37706 35876	35129 33954 32993 31391	14200 13300 12600 11500	62,4	11,0	59	153
GPC-162	2	0 mm 5 mm 10 mm 15 mm	56697 54912 52029 49146	50396 48811 46249 43686	44097 42709 40467 38225	13200 12500 11500 10500	93,5	16,5	59	164
GPC-182	3	0 mm 5 mm 10 mm 15 mm	67543 65346 63286 60678	30037 58085 56254 53936	52532 50825 49222 47194	21300 19950 18800 17400	93,5	16,1	61	213
GPC-192	3	0 mm 5 mm 10 mm 15 mm	84015 80583 76465 71660	74680 71629 67969 63698	65346 62676 59472 55736	19800 18600 17300 15600	140,3	24,1	61	230

* Available pressure / Presión disponible





GSC Series / Serie GSC

MODEL	FANS	MM CW				NOMINAL CAPACITY	POWER	CONSUMPTION	SURFACE	INTERNAL VOLUME	WEIGHT
MODELO	VENTILADORES	mm CW*				R-404 A(W) CAPACIDAD NOMINAL R-404A (W)	POTENCIA	CONSUMO	SUPERFICIE	VOLUMEN INTERNO	PESO
	Num	d.P.d	flow	rpm	dBA	ΔT 15 K	W	200 V (A) 400 V (A)	m ²	dm ³	kg
NORMAL SOUND LEVEL / NIVEL DE RUIDO NORMAL											
GSC-250	2	0 mm	36200	650	61	148260	2 x 4000	2 x 15,8/9,1	400	58	515
GSC-251	2	5 mm	35200	665	62	145358	2 x 4000	2 x 15,8/9,1	400	58	515
GSC-252	2	10 mm	34200	620	61	142335	2 x 4000	2 x 15,8/9,1	400	58	515
GSC-273	2	15 mm	37600	770	66	152372	2 x 5500	2 x 20,6/11,9	400	58	540
GSC-274	2	20 mm	36600	780	66	149470	2 x 5500	2 x 20,6/11,9	400	58	540
GSC-350	3	0 mm	54300	650	63	220940	3 x 4000	3 x 15,8/9,1	600	86	750
GSC-351	3	5 mm	52800	665	64	217191	3 x 4000	3 x 15,8/9,1	600	86	750
GSC-352	3	10 mm	51300	620	63	213321	3 x 4000	3 x 15,8/9,1	600	86	750
GSC-373	3	15 mm	56400	770	68	226019	3 x 5500	3 x 20,6/11,9	600	86	790
GSC-374	3	20 mm	54900	780	68	222391	3 x 5500	3 x 20,6/11,9	600	86	790
GSC-450	4	0 mm	72400	650	64	297247	4 x 4000	4 x 15,8/9,1	800	114	980
GSC-451	4	5 mm	70400	665	65	291200	4 x 4000	4 x 15,8/9,1	800	114	980
GSC-452	4	10 mm	68400	620	64	285153	4 x 4000	4 x 15,8/9,1	800	114	980
GSC-473	4	15 mm	75200	770	69	305470	4 x 5500	4 x 20,6/11,9	800	114	1030
GSC-474	4	20 mm	73200	780	69	299544	4 x 5500	4 x 20,6/11,9	800	114	1030
GSC-550	5	0 mm	90500	650	65	336660	5 x 4000	5 x 15,8/9,1	1000	140	1280
GSC-551	5	5 mm	88000	665	66	360009	5 x 4000	5 x 15,8/9,1	1000	140	1280
GSC-552	5	10 mm	85500	620	65	353721	5 x 4000	5 x 15,8/9,1	1000	140	1280
GSC-573	5	15 mm	94000	770	70	376819	5 x 5500	5 x 20,6/11,9	1000	140	1345
GSC-574	5	20 mm	91500	780	70	369563	5 x 5500	5 x 20,6/11,9	1000	140	1345
GSC-650	6	0 mm	108600	650	66	446112	6 x 4000	6 x 15,8/9,1	1200	167	1525
GSC-651	6	5 mm	105600	665	67	437163	6 x 4000	6 x 15,8/9,1	1200	167	1525
GSC-652	6	10 mm	102600	620	66	428093	6 x 4000	6 x 15,8/9,1	1200	167	1525
GSC-673	6	15 mm	112800	770	71	458447	6 x 5500	6 x 20,6/11,9	1200	167	1605
GSC-674	6	20 mm	109800	780	71	449740	6 x 5500	6 x 20,6/11,9	1200	167	1605
GSC-750	7	0 mm	126700	650	67	521330	7 x 4000	7 x 15,8/9,1	1400	195	1770
GSC-751	7	5 mm	123200	665	68	511051	2 x 4000	7 x 15,8/9,1	1400	195	1770
GSC-752	7	10 mm	119700	620	67	500772	7 x 4000	7 x 15,8/9,1	1400	195	1770
GSC-773	7	15 mm	131600	770	72	535479	7 x 5500	7 x 20,6/11,9	1400	195	1860
GSC-774	7	20 mm	128100	780	72	525442	7 x 5500	7 x 20,6/11,9	1400	195	1860
MEDIUM SOUND LEVEL / NIVEL DE RUIDO INTERMEDIO											
GSC-230	2	0 mm	29600	530	56	128186	2 x 2200	2 x 8,8/5,1	400	58	500
GSC-231	2	5 mm	28200	560	58	124195	2 x 2200	2 x 8,8/5,1	400	58	500
GSC-232	2	10 mm	26800	580	58	120084	2 x 2200	2 x 8,8/5,1	400	58	500
GSC-233	2	15 mm	25400	600	58	115730	2 x 2200	2 x 8,8/5,1	400	58	500
GSC-234	2	20 mm	24000	640	61	111256	2 x 2200	2 x 8,8/5,1	400	58	500
GSC-330	3	0 mm	44400	530	58	194577	3 x 2200	3 x 8,8/5,1	600	86	730
GSC-331	3	5 mm	42300	560	60	188409	3 x 2200	3 x 8,8/5,1	600	86	730
GSC-332	3	10 mm	40200	580	60	181879	3 x 2200	3 x 8,8/5,1	600	86	730
GSC-333	3	15 mm	38100	600	60	175228	3 x 2200	3 x 8,8/5,1	600	86	730
GSC-334	3	20 mm	36000	640	63	168456	3 x 2200	3 x 8,8/5,1	600	86	730
GSC-430	4	0 mm	59200	530	59	256130	4 x 2200	4 x 8,8/5,1	800	114	940
GSC-431	4	5 mm	56400	560	61	248028	4 x 2200	4 x 8,8/5,1	800	114	940
GSC-432	4	10 mm	53600	580	61	239805	4 x 2200	4 x 8,8/5,1	800	114	940
GSC-433	4	15 mm	50800	600	61	231219	4 x 2200	4 x 8,8/5,1	800	114	940
GSC-434	4	20 mm	48000	640	64	222391	4 x 2200	4 x 8,8/5,1	800	114	940
GSC-530	5	0 mm	74000	530	60	321191	5 x 2200	5 x 8,8/5,1	1000	140	1230
GSC-531	5	5 mm	70500	560	62	309823	5 x 2200	5 x 8,8/5,1	1000	140	1230
GSC-532	5	10 mm	67000	580	62	298335	5 x 2200	5 x 8,8/5,1	1000	140	1230
GSC-533	5	15 mm	63500	600	62	286484	5 x 2200	5 x 8,8/5,1	1000	140	1230
GSC-534	5	20 mm	60000	640	65	274270	5 x 2200	5 x 8,8/5,1	1000	140	1230

* Available pressure / Presión disponible



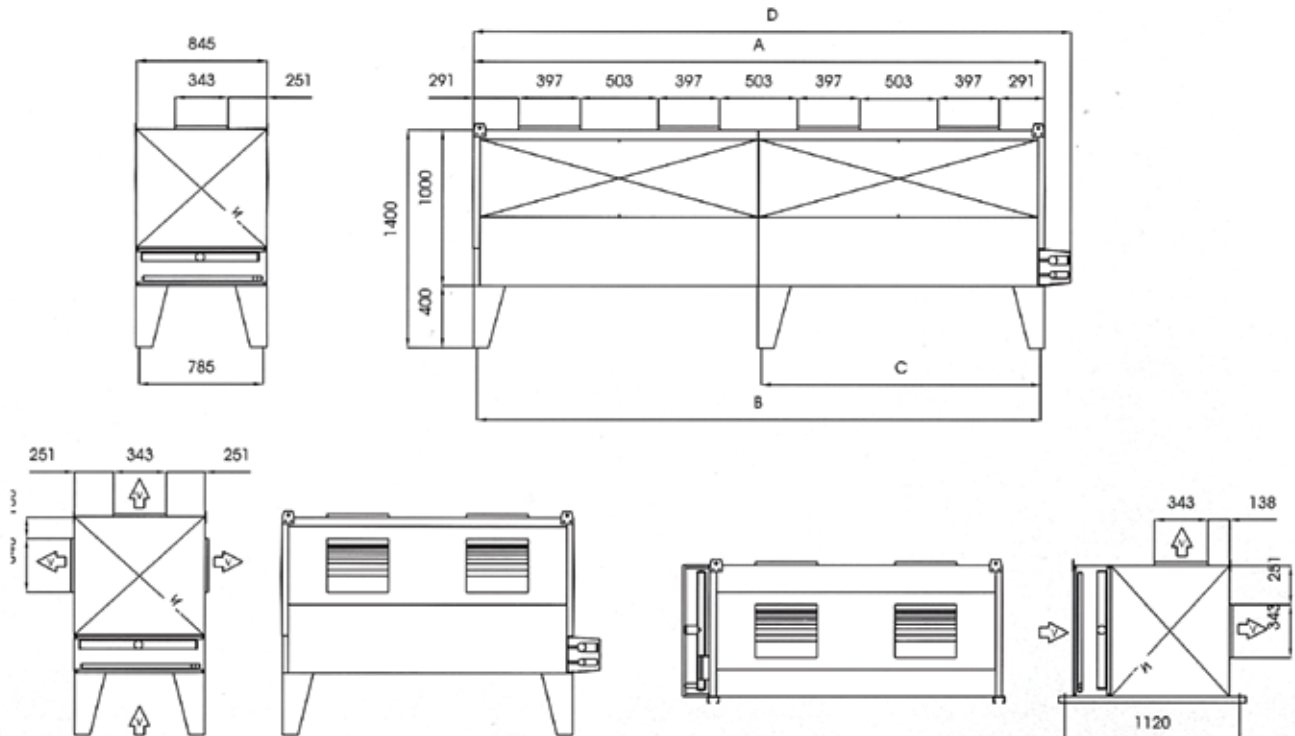
MODEL	FANS	MM CW				NOMINAL CAPACITY R-404 A	POWER	CONSUMPTION	SURFACE	INTERNAL VOLUME	WEIGHT
MODELO	VENTILADORES	mm CW*				CAPACIDAD NOMINAL R-404A	POTENCIA	CONSUMO	SUPERFICIE	VOLUMEN INTERNO	PESO
	Num	d.P.d	flow	rpm	dBA	ΔT 15 K	W	200 V (A) 400 V (A)	m ²	dm ³	kg
GSC-630	6	0 mm	88800	530	61	384437	6 x 2200	6 x 8,8/5,1	1200	167	1450
GSC-631	6	5 mm	84600	560	63	371981	6 x 2200	6 x 8,8/5,1	1200	167	1450
GSC-632	6	10 mm	80400	580	63	359647	6 x 2200	6 x 8,8/5,1	1200	167	1450
GSC-633	6	15 mm	76200	600	63	346707	6 x 2200	6 x 8,8/5,1	1200	167	1450
GSC-634	6	20 mm	72000	640	66	333284	6 x 2200	6 x 8,8/5,1	1200	167	1450
GSC-730	7	0 mm	103600	530	62	450586	7 x 2200	7 x 8,8/5,1	1400	195	1680
GSC-731	7	5 mm	98700	560	64	434502	7 x 2200	7 x 8,8/5,1	1400	195	1680
GSC-732	7	10 mm	93800	580	64	418056	7 x 2200	7 x 8,8/5,1	1400	195	1680
GSC-733	7	15 mm	88900	600	64	401247	7 x 2200	7 x 8,8/5,1	1400	195	1680
GSC-734	7	20 mm	84000	640	67	385284	7 x 2200	7 x 8,8/5,1	1400	195	1680
LOW SOUND LEVEL / NIVEL DE RUIDO BAJO											
GSC-210	2	0 mm	23200	440	53	108595	2 x 1100	2 x 4,7/2,7	400	58	480
GSC-211	2	5 mm	21400	460	53	102549	2 x 1100	2 x 4,7/2,7	400	58	480
GSC-212	2	10 mm	19900	490	55	97107	2 x 1100	2 x 4,7/2,7	400	58	480
GSC-213	2	15 mm	18000	530	56	89972	2 x 1100	2 x 4,7/2,7	400	58	480
GSC-214	2	20 mm	16200	575	58	82595	2 x 1100	2 x 4,7/2,7	400	58	480
GSC-310	3	0 mm	34800	440	55	158540	3 x 1100	3 x 4,7/2,7	600	86	700
GSC-311	3	5 mm	32100	460	55	149228	3 x 1100	3 x 4,7/2,7	600	86	700
GSC-312	3	10 mm	29850	490	57	141126	3 x 1100	3 x 4,7/2,7	600	86	700
GSC-313	3	15 mm	27000	530	58	131209	3 x 1100	3 x 4,7/2,7	600	86	700
GSC-314	3	20 mm	24300	575	60	121172	3 x 1100	3 x 4,7/2,7	600	86	700
GSC-410	4	0 mm	46400	440	56	217070	4 x 1100	4 x 4,7/2,7	800	114	920
GSC-411	4	5 mm	42800	460	56	204735	4 x 1100	4 x 4,7/2,7	800	114	920
GSC-412	4	10 mm	39800	490	58	193972	4 x 1100	4 x 4,7/2,7	800	114	920
GSC-413	4	15 mm	36000	530	59	179581	4 x 1100	4 x 4,7/2,7	800	114	920
GSC-414	4	20 mm	32400	575	61	165312	4 x 1100	4 x 4,7/2,7	800	114	920
GSC-510	5	0 mm	58000	440	57	267256	5 x 1100	5 x 4,7/2,7	1000	140	1100
GSC-511	5	5 mm	53500	460	57	252502	5 x 1100	5 x 4,7/2,7	1000	140	1100
GSC-512	5	10 mm	49750	490	59	239563	5 x 1100	5 x 4,7/2,7	1000	140	1100
GSC-513	5	15 mm	45000	530	60	222270	5 x 1100	5 x 4,7/2,7	1000	140	1100
GSC-514	5	20 mm	40500	575	62	204735	5 x 1100	5 x 4,7/2,7	1000	140	1100
GSC-610	6	0 mm	69600	440	58	318167	6 x 1100	6 x 4,7/2,7	1200	167	1350
GSC-611	6	5 mm	64200	460	58	299181	6 x 1100	6 x 4,7/2,7	1200	167	1350
GSC-612	6	10 mm	59700	490	60	282735	6 x 1100	6 x 4,7/2,7	1200	167	1350
GSC-613	6	15 mm	54000	530	61	262660	6 x 1100	6 x 4,7/2,7	1200	167	1350
GSC-614	6	20 mm	48600	575	63	242586	6 x 1100	6 x 4,7/2,7	1200	167	1350
GSC-710	7	0 mm	81200	440	59	376214	7 x 1100	7 x 4,7/2,7	1400	195	1580
GSC-711	7	5 mm	74900	460	59	355293	7 x 1100	7 x 4,7/2,7	1400	195	1580
GSC-712	7	10 mm	69650	490	61	336912	7 x 1100	7 x 4,7/2,7	1400	195	1580
GSC-713	7	15 mm	63000	530	62	312242	7 x 1100	7 x 4,7/2,7	1400	195	1580
GSC-714	7	20 mm	56700	575	64	287693	7 x 1100	7 x 4,7/2,7	1400	195	1580

* Available pressure / Presión disponible

Dimensions GMC Series / Dimensiones de la serie GMC

MODEL MODELO	DIMENSIONS (MM) DIMENSIONES (MM)				ELECTRIC CONEC. CONEX. ELÉCTRICA				CONNECTIONS CONEXIONES			
	A	B	C	D	Num	rpm	cv	W	220 V (A)	400 V	CONNECTIONS / CONEXIONES	
GMC-22	1880	1820		2040	2	900	1,5 x 2	1100 x 2	14	8	1 5/8"	1 1/8"
GMC-23	1880	1820		2040	2	900	1,5 x 2	1100 x 2	14	8	1 5/8"	1 1/8"
GMC-24	1880	1820		2040	2	900	1,5 x 2	1100 x 2	14	8	1 5/8"	1 1/8"
GMC-33	2780	2720		2940	3	900	1,5 x 3	1100 x 3	21	12	2 1/8"	1 3/8"
GMC-34	2780	2720		2940	3	900	1,5 x 3	1100 x 3	21	12	2 1/8"	1 3/8"
GMC-43	3680	3620	1820	3840	4	900	1,5 x 4	1100 x 4	28	16	2 1/8"	1 3/8"
GMC-44	3680	3620	1820	3840	4	900	1,5 x 4	1100 x 4	28	16	2 1/8"	1 3/8"

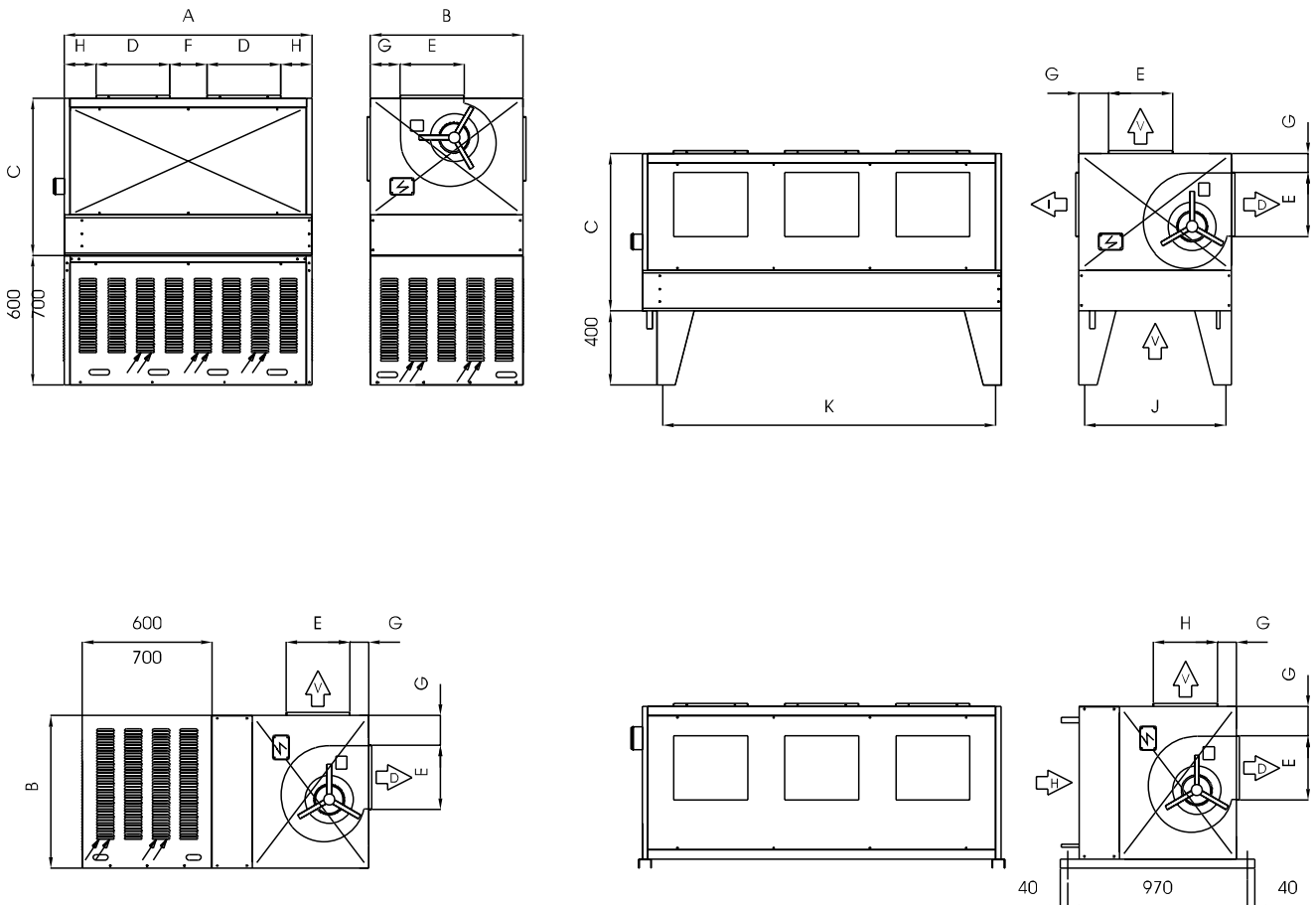
GMC Series / Serie GMC



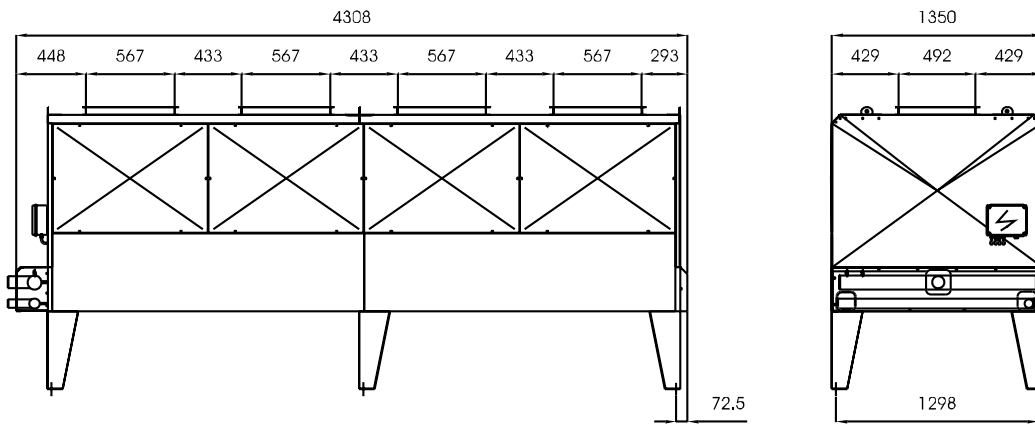
Dimensions GPC Series / Dimensiones de la serie GPC

MODEL MODELO	DIMENSIONS (mm) DIMENSIONES (mm)										ELECTRIC CONEC. CONEX. ELÉCTRICA			CONNECTIONS CONEXIONES			
	A	B	C	D	E	F	G	H	J	K	Num	rpm	cv	220 V (A)	400 V (A)	CONNECTIONS / CONEXIONES	
GPC-12	575	490	700	300	265		75	138	430	435	1	900	1/3	3		3/8"	3/8"
GPC-22	575	490	700	300	265		75	138	430	435	1	1400	1/2	3,5		5/8"	1/2"
GPC-32	575	490	700	300	265		75	138	430	435	1	1400	1/2	3,5		5/8"	1/2"
GPC-52	575	490	700	300	265		75	138	430	435	1	1400	1/2	3,5		5/8"	1/2"
GPC-62	745	825	850	335	292		160	205	765	605	1	900	1/3	3		3/4"	5/8"
GPC-72	745	825	850	335	292		160	205	765	605	1	900	1/3	3		3/4"	5/8"
GPC-82	745	825	850	395	345		160	175	765	605	1	900	1 1/2	7	4	3/4"	5/8"
GPC-92	745	825	850	395	345		160	175	765	605	1	900	1 1/2	7	4	3/4"	5/8"
GPC-142	1345	825	850	395	345	205	160	175	765	1205	2	900	1 1/2	14	8	1 1/8"	3/4"
GPC-152	1345	825	850	395	345	205	160	175	765	1205	2	900	1 1/2	14	8	1 1/8"	3/4"
GPC-162	1345	825	850	395	345	205	160	175	765	1205	2	900	1 1/2	14	8	1 1/8"	3/4"
GPC-182	1945	825	850	395	345	205	160	175	765	1805	3	900	1 1/2	21	12	1 5/8"	1 1/8"
GPC-192	1945	825	850	395	345	205	160	175	765	1805	3	900	1 1/2	21	12	1 5/8"	1 1/8"

GPC Series / Serie GPC

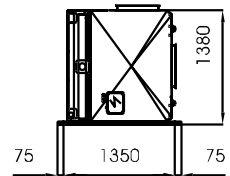
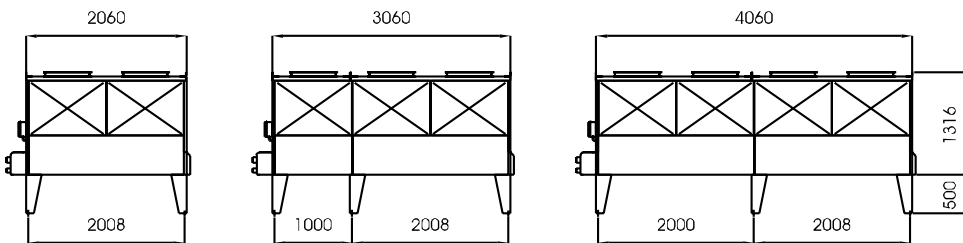


GSC Series / Serie GSC



Horizontal 2-4 units / Horizontal, 2-4 unidades

Vertical 2-4 units / Vertical, 2-4 unidades



Horizontal 5-7 units / Horizontal, 5-7 unidades

Vertical 5-7 units / Vertical, 5-7 unidades

